

## IP network Wall Mount Speaker (2x15W) FIP-915E



### Description:

The IP network Wall Mount Speaker is with TCP/IP protocol, enable to be built up an IP based sound system through a single CAT5 or CAT6 wire. The single CAT5 cable is used for control data, signal data and power supply, by this way, the layout cost will be much decreased compare to analog PA system.

The wall mount speaker is designed with 5" two way wall mount speaker with 2X15W class-D amplifier and stereo output, keep good sound quality by hard decoder.

The IP speaker kits is designed as an economy IP system solution, include one active speaker+ one passive speaker both in 15W RMS , with a low cost to build up the IP network speaker system

There is one contact input and one contact output to interactive with third party system. The remote paging microphone FIP-900TM enables to make announcement over individual IP speaker, group speakers over network.

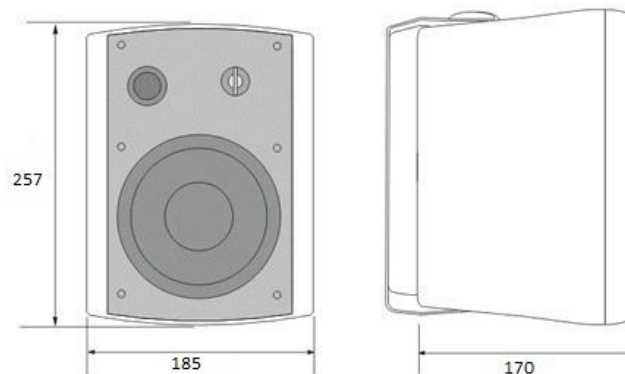
### Features:

- ✓ Economy IP speaker system sells in one pair
- ✓ Strong IP software with timer, BGM, paging, Support DHCP/static IP address
- ✓ IP PA system with background music, paging system and voice alarm system
- ✓ Minimum cable connection over existing LAN/WAN/Internet system
- ✓ Huge system capacity up to 1,200 zones
- ✓ Support with existing IP switch network system
- ✓ IP based POE powered 15W 5" two way wall mount speaker
- ✓ Built-in IP module, 2x15W class-D amplifier and two way speaker
- ✓ Single network cable for control, signal and power supply
- ✓ Same IP speakers enable to be several group or zone defined
- ✓ Different music or voice message simultaneously broadcasted through different IP speakers
- ✓ Paging prioritization and background music system
- ✓ IP software adjust speaker volume, Bass, Treble
- ✓ Closed contact input & Closed contact output with program
- ✓ DC12V power supply input

## IP network Wall Mount Speaker (2x15W)

### FIP-915E

#### Side View & Dimensions:



#### Specifications:

|                          |   |
|--------------------------|---|
| Model                    | FIP-915E  |
| Description              | IP Based Wall Mount Speaker   |
| Power Output (1KHz@-3dB) | 15 Watts, MAX 20 Watts  |
| Built-in Amplifier       | 2X15W Watts Class D amplifier   |
| Speaker Unit             | 5" woofer+1.5" tweeter  |
| Network I/F              | 10/100Mbps  |
| Protocol                 | ARP, TCP/IP, UDP, ICMP & IGMP (Group Broadcast)   |
| Audio Format             | MP3, wav  |
| Audio Quality            | 16digit stereo CD level   |
| Sampling Rate            | 8K~48K  |
| Bit Rate                 | 8K~512Kbps  |
| Sensitivity              | 92dB/1W/1M  |
| S/N Ratio                | ≧85dB   |
| THD                      | ≦0.1%   |
| Frequency Response       | 100-18KHz (±3dB)  |
| Connector                | One RJ45 port for existing LAN/WAN & internet<br>One control input, 0V, short circuit contact<br>One control output, 0V, short circuit contact<br>One DC12V input |
| Power Input              | DC 12V  |
| Operation Temp           | -30°C to +55°C  |
| Dimension                | 257(W)×185(D)×170(H)mm  |
| Bracket                  | U-Shaped wall mount bracket   |
| Material                 | ABS cabinet and steel grille  |
| Weight                   | 2.5kg   |